



COMPLETE CATALOGUE OF PRODUCTS  
AND ACCESSORIES

# RESIDENTIAL AND INDUSTRIAL DOORS





## INTRODUCTION

Dear customers,

The story of KRUŽÍK s.r.o. began in 1994, when its founder and owner Mr. Antonín Kružík decided to import sectional doors from the USA and Canada. In 1997, the company was hit by a fatal flood, which led to a change in the company's business plan – the company started its own production in Kroměříž. For capacity reasons, the company moved twice. For the last 20 years, the company has been located in Kroměříž on Veleslavínova Street, in a complex that is constantly being expanded and modernized.

With almost thirty years on the market, KRUŽÍK s.r.o. is now a traditional Czech manufacturer of garage and industrial doors, gates and side doors. We are a Czech family company without foreign capital. The company's activity goes beyond the borders of the domestic market. Our products have found their permanent markets in 13 European countries, such as in Slovakia, Germany, Austria, Switzerland and Norway etc.

Our garage and industrial doors are always made to measure, so that every opening is precisely filled. Our extensive range of doors, gates and side doors will satisfy even the most demanding customers, not just in terms of quality of workmanship and materials, but also in design requirements. Extremely high quality and the option of bespoke designs are made possible via a new, globally unique technology called DURA PRINT. This uses digital inkjet printing with UV lamp curing and a continuous paint box. This is a process that prioritises the highest quality and care whilst offering the competitive advantage of countless design possibilities.

Another added value is the possibility of personal negotiation, individual approach to each order, the ability and willingness to solve even non-standard orders, the possibility of consulting technical solutions, fast delivery of spare parts at a reasonable price, etc.

We have always invested most of our profits in the further development of the company. In the past, it was mainly in the construction of production and storage halls, in order to increase production capabilities. In recent years, we have invested mainly in automation and robotization of production, digitalization and optimization of production processes. We have also developed our own, sophisticated garage and industrial door configurator, in which every wholesale dealer and end customer can configure the door according to their wishes, including accessories. We see modern technology as an opportunity to continuously improve our products and thus to compete in the future in the tough pan-European competition.



# Quality guarantee

The most modern production technology allows us to produce each door exactly to the customer's specifications. We have the maximum possible degree of automation and robotization, along with digitalization and optimization of production processes.

All doors manufactured by us are certified by renowned testing laboratories such as TÜV or CSI and comply with the conditions of the strict European standard EN 13241-1.

The company's processes meet the requirements of the certification system ISO 9001:2015.

## CERTIFICATES



# CONTENTS

## 01 RESIDENTIAL DOORS

Sectional design flat	10
Sectional design groove	12
Sectional design lamella	14
Sectional design v-profile	16
Sectional design cassette	18
Sectional aluminium doors ALU SW	20
Sectional RSV	22
Integrated entrance doors	24
Side hinged garage doors	26
Side sectional garage doors	30
DURA PRINT printing	34
Laminating - imitation wood and other foils	40
Varnishing	44
Sections and accessories	46
Garage door operators Force Door	48
Garage door operators Somfy	50
Garage door operators Marantec	51
Aluminium entrance doors	52
Side doors	56

## 02 INDUSTRIAL DOORS

Sectional steel doors BASE+	60
Sectional aluminium doors ALU+	62
Sectional aluminium doors ALM+	64
Integrated entrance doors	66
Varnishing	68
DURA PRINT printing	70
Side doors	72
Sections and accessories	73
Industrial door openers FMK – BASE	74
Industrial door openers GFA and MFZ	75
Loading equipment, high-speed doors and rolling shutters	76

## 03 GATES

Sliding gates	78
Hinged gates	79
Technical data	80

**RESIDENTIAL DOORS**

**01**



# SECTIONAL GARAGE DOORS

## Design flat

The smooth panel adds a touch of elegance to the extraordinary architecture of your house.

This door design with its modern and luxurious look is gaining more and more fans. Doors made of smooth panels suitably complement modern architecture of the building. The advantage is the simplicity, practicality and easy maintenance. The smooth design is ideal for a door with the unique DURA PRINT printing technology. It is also well suited for laminating technology and varnishing with a wide range of RAL colours.

- ◀ Smooth panel; design DURA PRINT VERTICAL 1
- ▶ Smooth panel; design DURA PRINT UNICO 4
- ▼ Smooth panel; design DURA PRINT METAL 3



# SECTIONAL GARAGE DOORS

## Design groove

The groove design will enhance the modern style of your home.

The doors with a centre groove are an increasingly popular representative of modern garage door design. Their advantage is practicality and simplicity. The central groove creates visually clear and regular lines which complement a modern home design. A wide range of RAL colours

can be applied to the centre groove panel, which has either smooth or woodgrain textured. We only laminate all wood imitation and other foils to panels with a smooth surface.



- ▲ Groove panel; laminating foil WINCHESTER
- ▲ Groove panel; varnishing RAL7037; RAL3020
- ◀ Groove panel; laminating foil WALNUS CURCUMA

# SECTIONAL GARAGE DOORS

## Design lamella

Doors with the lamella panels are a classic that will impress you with their evenness and timelessness.

Garage doors with the lamella design are a representation of the classic look and traditional original type of sectional doors. With clear lines and precise spacing between the lamellas, it fits every type of house and masonry. Lamella doors can have a smooth surface, a woodgrain texture or a stucco texture. This type of stucco panel comes

in 8 colours as standard without a surcharge. On customer's request, DURA PRINT printing technology or any RAL colour can be used. The use of lamella with a smooth surface allows the application of panel lamination technology, which significantly expands the range of wood imitations and other foils.



Lamella panel; Design RAL9006 ▲



▲ Lamella panel; Design RAL9006

Lamella panel; Design DURA PRINT EXCLUSIVE STORED WOOD ▼







## SECTIONAL GARAGE DOORS

### Design v-profile

The latest type of panel that really catches the eye attention.

The v-profile is the latest type of panel that impresses at first sight with its novel design. The subtle 8- or 16-mm wide recessions create an elegant perspective that blends harmoniously with the modern architecture of the house. The surface of the panel is always smooth. It is available as standard in white, silver, anthracite or the very popular RAL 9007 metallic colour and allows the application of a wide range of RAL colours or DURA PRINT.

- ◀ Panel v-profile; Design RAL9006
- ▶ Panel v-profile; Design RAL9006
- ▼ Panel v-profile; Design DURA PRINT EXCLUSIVE PEONY FLOWERS



# SECTIONAL GARAGE DOORS

## Design cassette

Are you looking for a classic and rustic look?  
Then choose a cassette door.

Cassette doors have been popular for many years for their distinctive look that complements the architecture of your home. They represent a classic design and are the most suitable type for the use

of decorative rectangular windows. They are always supplied with a woodgrain structure either in standard white, or if you choose a RAL colour in imitation wood in golden oak or dark oak (walnut).



Cassette panel; Design GOLDEN OAK ▲



▲ Cassette panel; Design GOLDEN OAK

Cassette panel; Design RAL3011 ▼



# SECTIONAL GARAGE DOORS

## Sectional Aluminium doors ALU SW

The sectional aluminium doors complement the unique architecture of the house.

Aluminium full glazed doors used to be the domain of industrial buildings such as car showrooms. Nowadays, full glazed doors for private use are also increasingly being produced, as they are really well suited to certain types of modern

houses. Aluminium doors for private use are of course made of profiles with finger grip protection. Aluminium frames can be either anodised, painted according to RAL, laminated with any foil or even printed with DURA PRINT technology.



ALU SW; Design anodised; Plexiglas clear ▲



▲ ALU SW; Design DURA PRINT INDIVIDUAL, Plexiglas clear

ALU SW; Design anodised; Plexiglas clear, Metal plate perforated ▼



# SECTIONAL GARAGE DOORS

## RSV – renovation system

The advantage of this rendition is the solid aluminium frame, which ensures the stability of the entire structure.

▼ RSV; Design laminating foil WALNUS AMARETTO



The door renovation system allows you to replace the old double-leaf or for example overhead doors with new sectional doors without having to demolish the old one door frames, which in some cases can save not only a lot of time but also money.

When using this type of door, a solid aluminium frame is used to cover the old frame and create enough space for the vertical rails to be installed. RSV doors can also be used in buildings where there is no headroom or side room.



▲ RSV; Smooth panel; DURA PRINT INDIVIDUAL



▲ RSV; frame and rail detail



▲ RSV; Design DARK OAK



▲ RSV; Design laminating foil WALNUS AMARETTO

# SECTIONAL GARAGE DOORS

## Integrated entrance doors

Don't open the whole door when you need just a little something.

You can use the integrated entrance door whenever you need to get into the garage, for example, just to pick up a small item. The entrance door saves energy costs as it allows you to enter without having to open the entire door. Of course, they are identical in colour to the door. The aluminium frame of the entrance door can be anodised in

silver, black with powder paint and black plastic transitions, painted according to the RAL or laminated with any foil. The entrance door can be equipped with a door closer, door movement protection when the door is open, panic hardware and other accessories.

Integrated entrance doors are becoming increasingly popular in low threshold designs. The height of the low threshold is only 30 mm, allowing for safe wheelchair access. Of course, it is also possible to produce an integrated entrance door with a conventional threshold height of 100 or 150 mm.

Integrated entry; Design DURA PRINT INDIVIDUAL ▼



▲ Integrated entry; Design DURA PRINT EXCLUSIVE SEN

Integrated entry; DURA PRINT RUSTICAL 1 ▼



## SIDE HINGED GARAGE DOORS

Side hinged doors are ideal for garages with only minimal side room and headroom.

Side hinged doors are an interesting alternative to classic sectional, side sectional or rolling doors. They can be manufactured with an aluminium frame with interrupted or uninterrupted thermal bridge. Side hinged doors are always installed into an opening. It is also possible to add a fixed skylight or to use glazing with an aluminium

crosspiece. Insulating double glazing with different decors and classic double acrylic panes can be used as glazing. Of course, it is possible to choose any colour or foil according to the customer's wishes. The aluminium frame can also be varnished or coat with a foil, which allows for very interesting colour combinations.



### Standard double-glazing offer



- 1. Clear
- 2. Tree bark clear
- 3. Chinchilla clear
- 4. Niagara
- 5. Matelux

### Standard offer of brightening with double acrylic filling



- 1. Clear
- 2. Crystal
- 3. Bronze
- 4. Satin
- 5. Opal
- 6. Tree bark

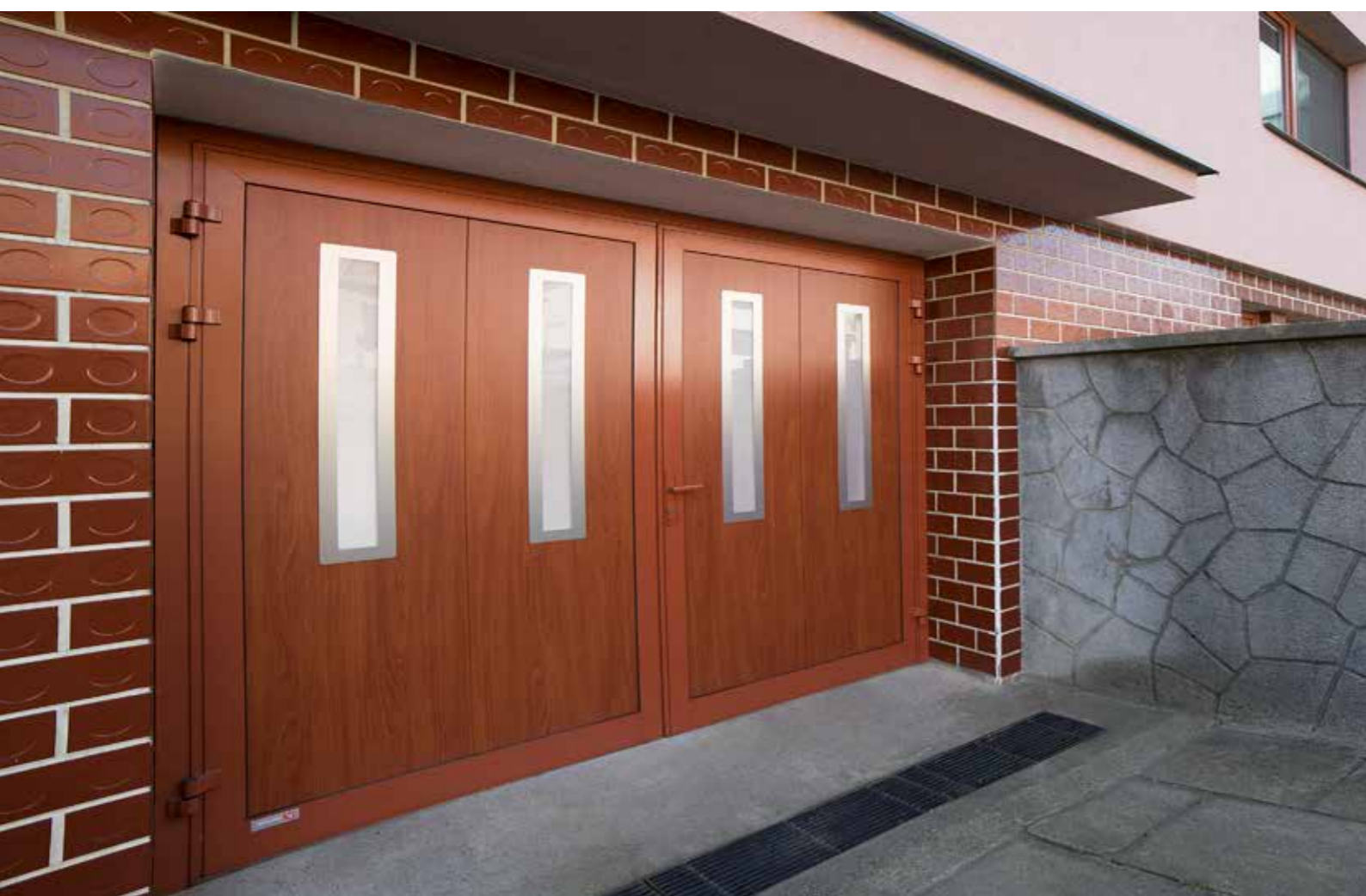
## SIDE HINGED GARAGE DOORS



The hinges on the side hinged doors and the side doors are always adjustable in 3 axes, thus allowing perfect fitting of the door into the building opening.

Different lighting conditions can significantly change the colour of individual foils, RAL colours or DURA PRINT. This phenomenon can be clearly seen on the page 28, where both doors have an identical foil.

- ▶ Side hinged door; design laminating foil CHERRY AMARETTO (detail)
- ◀ Side hinged door; design laminating foil CHERRY AMARETTO
- ▼ Side hinged door; design laminating foil CHERRY AMARETTO
- ▼ Side hinged door; design laminating foil DARK OAK





## SIDE SECTIONAL GARAGE DOORS

Luxury side sectional door with the option of only partial opening for the passage of people.

Side sectional garage doors are another type of door in our range that is becoming increasingly popular. The main advantage of side sectional doors is their ability to partially open, allowing for quick comfortable access, which can reduce energy costs considerably. Another significant advantage is that the installation of side sectional doors does not reduce the height of the opening. As the only Czech manufacturer, we produce side sectional doors exactly to measure with luxury aluminium fittings. This fitting with a guide in the top rail is not only very elegant as it comes in natural aluminium, but it is also very high quality, functional and durable.

- ◀ Side sectional door; design RAL7016
- ▶ Side sectional door; design GOLDEN OAK
- ▼ Side sectional door; design laminating foil STREIFEN DOUGLASIE





## SIDE SECTIONAL GARAGE DOORS

Side sectional doors allow the use of most of the same accessories as conventional sectional doors. Thus, a wide range of windows, ventilation grilles, and even some handles can be used. Of course, there is the possibility of printing DURA PRINT technology, varnishing according to RAL or lamination with any foil.



Side sectional door; bottom seal (Detail) ▲

The fittings for side sectional doors can be made either with an arch and the door then goes into the garage along the side wall or without an arch and the door can then go along the opening. The running profile in the opening is very discreet and low, allowing easy cleaning.



▲ Side sectional door; design RAL 7016

Side sectional door; design laminating foil DARK OAK ▼



Side sectional door; design RAL7016 ▲



# SECTIONAL GARAGE DOORS

## Surface finishing – DURA PRINT

You can have a door with a quality print according to your wishes only from us.

The world's unique DURA PRINT technology using digital inkjet printing with UV lamp curing is based on the application of ink on the door panel. Subsequently, the resulting inkjet print is varnished with matt PUR varnish. The resulting surface has a high resistance to UV radiation and abrasion. The printing technology is capable of working in three axes with a resolution of up to 360 dpi, which allows for superior quality resolution of printing on the door panel. It is possible to print, for example, various imitations of wood, concrete, stainless steel decor, any images, photos, signs, company logos, etc. The printing possibilities are seemingly unlimited.

Doors, manufactured using a door-manufacturing process that involves the splitting of an initial digital image into several parallel sections to create a number of partial sequential images; printing each of the partial images using an ink onto separate coated metal door segment and assembly of the segments for creating assembled doors with the appearance of the initial digital image cannot be offered in the Federal Republic of Germany, placed on the market, used or imported or owned for the indicated purpose. Doors that are manufactured using this process is not included in the offer intended for the Federal Republic of Germany.



- ▲ DURA PRINT; design METAL 5
- ▲ DURA PRINT; design INDIVIDUAL
- ◀ DURA PRINT; design METAL 6

# SECTIONAL GARAGE DOORS

## Surface finishing – DURA PRINT

High-speed three-axis inkjet printer with UV curing and continuous varnish box.

- The maximum printable length of the door panel is 7500 mm.
- Printable surfaces: smooth, woodgrain, stucco.
- Printable panel designs: flat, V-profile, lamella, groove
- The effect of sunlight and other weather impacts has been tested in specialist test facilities for the equivalent of 10 years with excellent results.
- For this reason, we provide a 10-year warranty on the peeling off and colour stability of the DURA PRINT printing.
- We have a team of designers and constantly follow new trends.

In the case of individual design, everything is completely in the hands of the customer or architect. All we need is the print data to be delivered to us either in vector format or as an image. In the case of an image the higher the resolution of the data, the better the quality of the resulting print.



▲ DURA PRINT; design NEXT GEN 6

DURA PRINT; design INDIVIDUAL ▼



DURA PRINT; design UNICO 2 ▲



# SECTIONAL GARAGE DOORS

## Surface finishing – DURA PRINT

In addition to individual designs, we have a permanent offer of about 150 motifs divided into groups. STANDARD, EXCLUSIVE, UNICO, NEXT GEN, RUSTICAL, VERTICAL and METAL. From this range, each customer can choose the design that best suits the style of their house. All current designs can be viewed on [www.kruzik.cz](http://www.kruzik.cz).



▲ DURA PRINT; design INDIVIDUAL ▲



▲ DURA PRINT; design INDIVIDUAL

▼ DURA PRINT; design NEXT GEN 7 ▼



▲ DURA PRINT; design INDIVIDUAL ▲



# SECTIONAL GARAGE DOORS

## Surface finishing – LAMINATING

For a natural look of your home, choose garage doors with imitation wood.

The company KRUŽÍK s. r. o. is the only manufacturer of doors in Central Europe that owns laminating lines that allow coat door panels as well as aluminium and plastic profiles with any imitation of wood, imitation of precious metal or coloured foil. We currently hold more than 50 different foils in stock. If a special foil is required, it can usually

be ordered from the manufacturer and the door can be coated with this foil. It is always the most important to know the exact number of the foil, as the names used by different window manufacturers vary, but the number from the foil manufacturer must always be the same.

Lamination; design foil SIERRA ROSSO ▼



Lamination; design foil ALUX DB 703 ▲



Doors with imitation precious metal add flair to a modern home.

The lamination technology enables precise colour matching of the garage door with the entrance door and windows. The only condition for the use of lamination is the application of the film exclusively on a panel with a smooth surface without woodgrain. It is possible to coat flat panels, panels with a central groove and panels with a lamella design. Our company uses only the highest quality UV filter films from renowned German manufacturers Renolit and Hornschuch (Continental), always 200 microns thick. These films have colour fastness, resistance to climatic conditions and a long service life. This is where the comparison with the competition really pays off.



All types of fittings supplied by us are joined in production by means of pneumatic hydraulic riveting. This modern method of production guarantees high strength of the connection and a long service life. ▲



## SECTIONAL GARAGE DOORS

### Surface finishing – LAMINATING

You can choose from more than 50 wood imitations and put foils to match a garage door exactly to your windows.

Imitation wood represents a modern trend and a return to natural design. We can laminate not only panels but also aluminium and plastic profiles. We also offer the possibility to have window frames, aluminium frames of full-vision sections and aluminium frames of integrated entrance doors, laminated in any wood imitation or coloured foil according to the customer's requirements.



- ◀ Lamination; design laminating foil NOCCE SORRENTO BALSAMICO
- ▶ Lamination; design laminating foil WALNUS CURCUMA
- ▼ Lamination; design laminating foil SOFT CHERRY



# SECTIONAL GARAGE DOORS

## Surface finishing – VARNISHING

Give your home an elegant addition in the form of a coloured door.

Give your home an elegant addition in the form of a coloured door. Thanks to our own paint shop, we can offer your door a choice of almost three thousand colours. This allows to exactly match the door to the facade of the house or to one of its elements. We only use high quality paints that are highly resistant to all climatic influences. As a result, painted doors retain their colour fastness for many years.



**Almost unlimited choice allows you our extended colour sampler.**



▲ Varnishing; design RAL7016

Varnishing; design RAL8028 ▼



Varnishing; design RAL9005 ▲

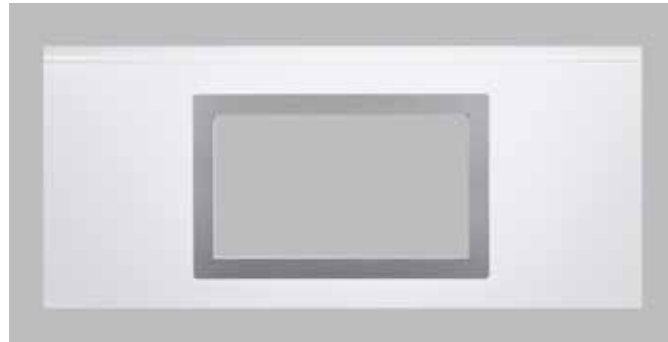


# SECTIONS AND ACCESSORIES

The sections with a height of 500, 555 or 610 mm are made of double-sided hot-dip galvanized sheets up to 0.6 mm thick. The panel can be surface-finished by varnishing, printed with DURA PRINT technology or coated with lamination technology.

The insulating filling consists of high quality 40 mm thick PUR foam with high density. The sections are manufactured with special technology from materials that are free of and do not form freons, moulds, bacteria and insecticides.

▼ Window 2444; 555x390 mm



▼ Window 2445; 290x290 mm



▼ Window 2446; 488x322 mm



▼ Window 2447; 600x170 mm



▼ Window 2448; 1000x170 mm



▼ Window 2430; ø 330 mm



The standard equipment of garage doors includes a wide range of glazing and lighting, ventilation, handles, handrails and other accessories that satisfy even the specific wishes of demanding customers.

For better illustration, in the third column you can see the details of the panel surfaces in woodgrain, stucco, flat and v-profile.





# GARAGE DOOR OPERATORS FORCE DOOR

Force Door is a leading manufacturer of garage door operators. With over a decade of experience in the field of sectional garage door automation, Force Door operators are becoming popular and established in Europe, America, Australia and also in African markets. The team at Force Door is dedicated to producing professional garage door operators that excel in technological processing as well as advanced programming capabilities.

Force Door drives use Twin-Hall technology, which allows the optimum pushing and pulling force to be set and recalculated after each cycle. The self-adjustment mechanism automatically adjusts the end positions of the garage door to avoid any

problem with the door reversing before reaching the end position.

Force Door ceiling drives are equipped with two types of control units. The simpler one is fitted in the DOORMAX and ARC drives. The DOORMAX or ARC with LED lighting is a simple and reliable type of operator for private doors, which we have been offering for a long time. Depending on the model, they can have a pushing and pulling force of 600N, 1000N or 1200N. We also offer the 600N and 1000N models in a Speed version, which means they are faster in opening and closing the garage.



▲ Force Door ARC



▲ Force Door DOORMAX



▲ Force Door ULTIMATE



▲ Force Door ADVANCED+



▲ Force Door OREO



Force Door UNO ▲



▲ Wireless keypad WK01



Wireless keypad WK02 ▲



▲ Wireless wall switch WWS01



WIFI MODULE ▲



RC01



RC02



RC03



RC04



RC05



RC06

Optional remote control ▲

Programming the drives is very simple and intuitive. They are equipped with soft start and soft stop functions with reliable obstacle detection. It is also possible to connect an electric or wireless protection for an integrated door and a battery for power supply in the event of a power failure. Drives are supplied with a chain or nylon belt rail and one 4-channel remote control included.

The Force Door ULTIMATE, OREO and UNO ceiling drives use a more sophisticated control unit. These motors are an innovative type of private door operator with elegant LED light and have feedback between the motor and the remote control. A status button can be used to find out whether the gate is open or closed without direct visibility. Available in 600N, 1000N or 1200N, the 600N and 1000N versions are also available in a Speed version.

Programming these drives is also very simple and intuitive. They are equipped with soft start and soft stop functions and a partial opening function. Of course, there is an electric or wireless protection for an integrated door and optional battery mounting for power supply in the event of a power failure. Drives are supplied including chain or nylon belt, one 3-channel door status syndication controller also included.

All Force Door drives can be retrofitted with a wi-fi module and then controlled from anywhere using a mobile phone app.

The warranty on all Force Door drives is 3 years.

## GARAGE DOOR OPERATORS SOMFY

Ceiling drives from the world-famous French manufacturer SOMFY have parameters pre-set for most installations, allowing quick commissioning without lengthy set-up. It is also possible to set the sensitivity of the obstacle detection, the closing speed during closing, partial opening and independently control the built-in lighting. Several types of chain or belt rails are available, including heavy-duty rails.

Of course, there is also a wide range of accessories.

There are two drive ranges. The RTS series are classic overhead drives operating at 433MHz. The io series are modern drives with a frequency of 868MHz.

Recently, io drives have become increasingly popular. Their main advantage is that drives with this technology allow connection to a "smart home" using the TaHoma® system.

From anywhere, you can easily check in the TaHoma® mobile app whether you closed the garage door correctly when you left the house.

If necessary, you can close or open them remotely from your smartphone at any time, perhaps to a courier with an expected package.



SOMFY Dexxo Pro io ▲



TaHoma® ▲

## GARAGE DOOR OPERATORS MARANTEC

Another option for automation of door control is the German Marantec Comfort drive systems, which meet all modern requirements for garage door drives. Currently on the market are the Marantec Comfort 2xx series, which includes the Comfort 260, 270 and 280 (black version) and the Marantec Comfort 3xx series, which includes the Comfort 360, 370 and 380 (white version).

The 3xx series has a luxurious white housing, 10 LEDs, faster opening and two remote controls already included. The 2xx series drives are cheaper, also have LED lighting and include one remote control.

All drives in both Marantec Comfort series are guaranteed for 5 years!!

A very nice feature of the Marantec Comfort drive systems is their ability not to fully develop the drive forces immediately, but to start and stop the door softly in both directions of movement. Soft starts and stops guarantee maximum quiet operation and a long service life.

The automatic shut-off of the Marantec Comfort drive systems reacts immediately to the slightest obstructions if they interfere with the operation of the door. The door is immediately set back by approx. 200 mm.

Electronically controlled anti-lifting locking ensures stability in every position and prevents unauthorised access by using a force.

All Marantec drives operate on the modern and secure 868 MHz frequency with a floating code, which prevents accidental door opening.

Some remote controls are equipped with advanced feedback technology that allows you to remotely know if the door is open or closed.

A technique has been developed to reduce current consumption by more than 60% during the time the engine is in standby mode.



MARANTEC series 2XX ▲

MARANTEC series 3XX ▲

## ALUMINIUM ENTRANCE DOORS

All our all-aluminium door designs are available with a one-side sash overlapping or double-sided sash overlapping.

The KRUŽÍK aluminium entrance door with overlaid filling is the most modern and luxurious type of entrance door. They are characterized by an excellent price/use value ratio. Thanks to the massive aluminium frame with a thermal break and quality aluminium filling with XPS core, they have excellent thermal insulation properties and high mechanical resistance. The aluminium design of the frame and the filling guarantees a long service life of these doors.



▼ Aluminium Entrance Door KR211; design RAL7040

Aluminium Entrance Door KR214; design RAL7039 ▲



Aluminium Entrance Door KR217; design RAL9016 ▲



The range of colours is very wide, even in the basic version it is possible to choose any RAL colour (except for metallic colours) free of charge. The required colour is always applied by powder varnishing technology on both sides. Powder varnishing ensures increased scratch resistance and long-term colour constancy.



▲ Adjusting roller hinget

Hidden adjusting hinge ▲

Aluminium Entrance Door LR201; design RAL9007, side skylight, filling Matelux ►





## ALUMINIUM ENTRANCE DOORS

Most entrance doors contain some glazing. It is important to note here that the glazing can be replaced if the glass is damaged or broken. This is certainly not a matter of course with some manufacturers. Very often we also supply customers with various side or top fixed parts, which can be either glazed or with a fixed infill according to the customer's wishes.

Just like all other products of KRUŽÍK s.r.o, we always produce aluminium entrance doors with sash overlapping fillings exactly to measure, in a high-quality standard according to the customer's wishes and at a reasonable price.

- ◀ Aluminium Entrance Door, full-glass; design RAL7039, filling Matelux
- ▶ Aluminium Entrance Door KR213; design RAL3004; filling Matelux
- ▼ Aluminium Entrance Door KR001; design laminating foil DARK OAK



## SIDE DOORS

The side door is an elegant addition for a garage door.

Side doors with massive aluminium frame are available in two versions - with interrupted or uninterrupted thermal bridges. Doors with an interrupted thermal bridge have excellent thermal insulation properties. The main advantage of doors without a thermal bridge is their favourable price. Side door can be visually identical with your garage door. We can produce them exactly

to measure, in any design, colour or covered with any imitation wood or coloured foil. It is also possible to use full or partial insulating glazing, acrylic glazing or stainless-steel decor, making the side door an elegant addition to your garage. Both types of side doors are always installed in the opening and can be opened inwards or outwards.



▲ Side door; design RAL9006

Side door; design DURA PRINT INDIVIDUAL ▼



Side door; design laminating foil SWAMP OAK; PPS filling Matelux ▲



A perspective view of a long row of industrial roller doors in a warehouse. The doors are white with horizontal ribbing and small windows near the top. The ceiling is a high, translucent skylight structure. The lighting is bright and even.

**INDUSTRIAL DOORS**

**02**

# SECTIONAL INDUSTRIAL DOORS

## Steel doors BASE+

Choose the classics in industrial doors. 8 standard colours are free of charge.

The BASE+ industrial doors are designed primarily for industrial and warehouse buildings. They offer a wide range of possibilities for interior lighting, installation of an integrated or secondary entrance and other accessories. They are characterised by excellent thermal insulation properties. Their construction is based on the requirement for the highest possible strength, durability, easy and safe handling.

The design of the full sections comes as standard in the popular lamella stucco design. The basic colours at no extra cost are: white RAL 9010, silver RAL 9006, grey metallic RAL 9007, red RAL 3000, blue RAL 5010, green RAL 6005, anthracite RAL 7016 and brown RAL 8014. Of course, these doors can be produced in any colour from the wide RAL palette on request.

The fitting of industrial door is highly variable, which makes it possible to adapt the door optimally to each industrial building. The variability makes it possible to satisfy customer requirements and hall layouts in particular.



▲ BASE+; design RAL9006; Alu sections, plexiglass clear, integrated entry

BASE+; design RAL9006; Alu section, plexiglass clear ▼



BASE+; design RAL3000 ▲



# SECTIONAL INDUSTRIAL DOORS

## Aluminium doors ALU+

Give your industrial building a modern look.

Aluminium doors ALU+ offer a generous solution for the construction or adaptation of industrial buildings with a requirement for significant interior brighter. The brightening is created using double acrylic sheets or 20mm polycarbonate Lexan. We are able to produce doors with all sections glazed or with the bottom section full, which is a particularly suitable option for car washes and auto services, for example.

Using quality materials, lightness and elegance are combined with strength and stability. Safety by visual contact, maximum light transmission and corrosion resistance are a matter of course with this type of door. Aluminium doors can be painted according to a wide RAL palette. Of course, it is no problem to incorporate an integrated entrance door or side door.

ALU+; design RAL9006, Alu sections, plexiglass clear, tiltable windows ▼



▼ ALU+; design RAL9006, Alu sections, plexiglass clear

ALU+; design RAL9006, Alu sections, plexiglass clear, side door ▲





# SECTIONAL INDUSTRIAL DOORS

## Aluminium doors ALM+

For maximum interior light, choose ALM+ aluminium doors.

Aluminium industrial doors with maximum brightening make it possible to show what is worth seeing inside from the outside, or to adapt the appearance of the door to the outer shell of the building in such a way that it is almost impossible to tell that it is a door. This option is perfectly suited for car showrooms, for example. ALM+ doors are supplied as standard with 5 mm thick

acrylic glazing in an anodised aluminium frame or with 20 mm thick Lexan. On request, the door can be manufactured in any RAL colour. Doors with maximum brightening up to a width of 3000 mm are without a vertical partition, from 3001 mm to 5000 mm are divided in the middle by one vertical partition for safety reasons.



ALM+; design RAL7016, glazing satin ▲



▼ ALM+; design anodized, glazing plexiglass clear

ALM+; design RAL7016, glazing satin ▲



# SECTIONAL INDUSTRIAL DOORS

## Integrated entrance doors

The low threshold allows wheelchair access thanks to the aluminium profile with a height of only 30mm.

Integrated entrance door in industrial doors save significant energy costs by allowing access to the hall without having to open the entire door. Of course, they are identical in colour to

the sectional door. The entrance door can be supplemented with a door closer, sectional door movement protection when the entrance door is open, panic hardware and other accessories.

The entrance door can be manufactured either with a classic threshold height of 100 mm or 150 mm depending on the door size or with a low threshold height of only 30 mm (up to a door width of 5500 mm). The frame of the entrance door is either anodised aluminium, black or in any RAL colour.



- ▲ Integrated entry; RAL9010, Alu section, plexiglass clear
- ▲ Detail of the cable breaking safety brakes with door lift protection
- ◀ Integrated entry; design RAL7016, Alu sections, plexiglass clear

# SECTIONAL INDUSTRIAL DOORS

## Surface finishing – VARNISHING

Unify industrial door with a visual presentation of your company.

We use only quality colour that guarantee long-term colour fastness. All colour shades can of course be applied to the entire range of industrial doors, including aluminium doors.

If you want to adapt the colour of sectional industrial door to the uniform visual communication of your company, to the colour of the facade or simply to your idea, we offer you a wide choice of almost 3000 RAL colours.



- ▲ Varnishing; design individual choice of RAL colours
- ▲ Varnishing; design RAL1037
- ◀ Varnishing; design RAL3000; Alu sections, plexiglass clear

## SECTIONAL INDUSTRIAL DOORS

### Surface finishing – DURA PRINT

Use the industrial door area for your own advertising, which is free of charge.

The unique printing technology of the DURA PRINT sectional door is not intended only for private use on garage doors. INDIVIDUAL motifs are very well applicable also for industrial sectional doors, where printing of company logo or some corporate graphics, numerical designations if there are several doors in one place, various information and advertising signs such as FIREFIGHTER, SERVICE, etc.



DURA PRINT; design INDIVIDUAL ▶  
DURA PRINT; design INDIVIDUAL ▼



▼ DURA PRINT; design RAL 3000, writing in DURA PRINT

DURA PRINT; design INDIVIDUAL ▲



## SECTIONAL INDUSTRIAL DOORS

### Side doors

We also always produce side doors for industrial buildings exactly to measure.

The side door has an identical appearance to the sectional door and is an elegant option for separating the movement of people and vehicles

in industrial buildings. Of course, different types of glazing and other accessories can be used.



## SECTIONS AND ACCESSORIES

We offer a wide range of accessories for the specific needs of each industrial object. We are one of the few companies to offer 8 panel colours free of charge. Among the superior features of our industrial doors is an extensive range of glazing, ventilation and locking systems to meet even the

most demanding customer requirements. Note the particularly wide range of all-aluminium section panels. Double acrylic glazing is still the most widely used, but expanded metal is becoming increasingly popular, particularly where there are requirements for increased ventilation.



## DOOR OPENERS FMK – BASE

FMK – BASE side drives for sectional industrial doors are modern and innovative drives that are gaining more and more popularity thanks to their high quality and very reasonable price.

These drives are available in three power variants 35Nm, 50Nm and 70Nm. Each power variant has given basic sets and extended sets.

FMK drives operate with both 230V and 400V input voltage and 24V DC control voltage.

All versions also have a slow start and finish system "Soft start and Soft stop", which protects the door, significantly extends its life and reduces repair costs.

These industrial drives can be equipped with a wide range of accessories and can also be controlled from anywhere via a mobile phone app after connecting a wi-fi module.



▲ FMK BASE 35



▲ FMK BASE 70



▲ Wired push button



▲ Control box



▲ WIFI module card



▲ Wireless door protection for integrated entry

## DOOR OPENERS GFA – MFZ

For the automation of industrial doors, we also offer powerful and reliable side drives from well-known German manufacturers GFA and MFZ. These side drives are available either in a fully automated version with all the comfort or in a „dead man“ version. The drive is mounted directly on the door shaft. There are versions

with 230V and 400V power supply, more moisture-resistant versions with IP65 protection and versions with frequency converter, which allows slow start and finish and contributes thus to prolonging door's life. Of course, various control units and a wide range of accessories can be connected to these motors.



▲ GFA SE 5.24-25,4S2K



▲ STA 1-10-24 KE



▲ GFA TS 971



▲ GFA TS 981



▲ MFZ CS 320 FU



▲ MFZ CS 320

## LOADING EQUIPMENT

Door seal is used to protect goods from the bad weather and at the same time significantly saves energy costs.

A levelling bridge is a device used to compensate for the height difference and to bridge the distance between the loading area of the truck and the loading ramp. It is used for external doorways and transfer ramps where goods are transferred from

trucks to storage areas and vice versa. This simplifies and speeds up the transshipment of palletised and bulky goods without the risk of damage.

Loading equipment, levelling bridges, door seals ▼



## HIGH-SPEED DOORS, INDUSTRIAL ROLLER SHUTTERS

Industrial high-speed foil doors are not only designed for use inside industrial buildings, but can also be placed on the outside of the building. They are designed for long-term intensive loads. The infill consists of a high-quality PES infill which is reinforced with fabric. The door has a safety contact bar and a light barrier. They are also equipped with a special system that ensures that the door is not damaged in the event that it is hit by, for example, a forklift truck. The opening and closing speed is up to 2m/s!

The simple and robust design of the industrial rolling door allows it to be installed in any opening, where it takes up minimal space and does not require additional space when opening. They are ideal when there is insufficient space for opening or when the installation of other types of doors is impossible. The profiles used to manufacture industrial rolling doors are always high-quality steel lamellas with polyurethane infill. All industrial roller doors are always made to measure.



# GATES

## Sliding gates

Sliding gates are a very popular option for homes where there is plenty of room for the gate to move. Sliding gates can be either self-supporting or tracked. Of course, there is the possibility of remote control of the gate and also the connection of the gate and the garage door for control with one remote control. In recent years, mobile phone control has become increasingly popular.

▼ Sliding gate; design DURA PRINT VERTICAL 11



Sliding gate; design DURA PRINT INDIVIDUAL ▲



# GATES

## Hinged gates

Hinged gates are divided into single and double leaf. These gates are mainly used in buildings where there is not enough space for a sliding gate. Double-leaf gates are more commonly used. As with sliding gates, it is now standard to use a gate operator with remote control and to link the gate and garage door controls, often via a mobile app.

▼ Hinged gate; design DURA PRINT INDIVIDUAL



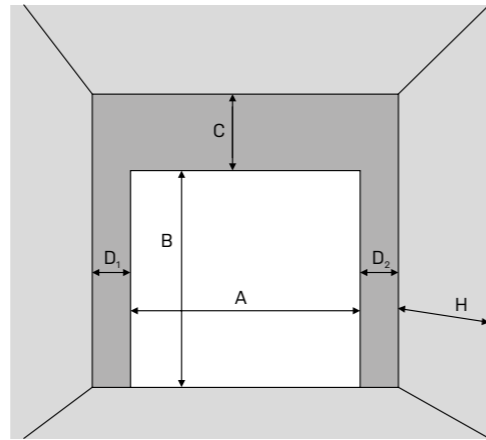
For automation of entrance gates, we use SOMFY and KING gates drives. Gate operators are divided into operators for sliding gates and operators for hinged gates. For hinged gates, swing arm drives or linear drives can be used. Operation and control are very convenient.



# PLUS/F

## DIMENSIONAL SHEET

- A** opening width max. 4500mm
- B** opening height max. 2500mm, door weight max. 115kg, sections weight 12 kg/m<sup>2</sup>
- C** headroom min. without el. operator 90mm, with el. operator 130mm
- D** side room min. 100mm
  - to guarantee trouble-free movement of the door, please keep the free space free of any kind of obstacles.
- S** door axis
  - Clear passage height for fitting PLUS/F::
    - for door without el. operator = opening height minus 130mm
    - for door with el. operator = the clear passage height is guaranteed
- H** garage depth



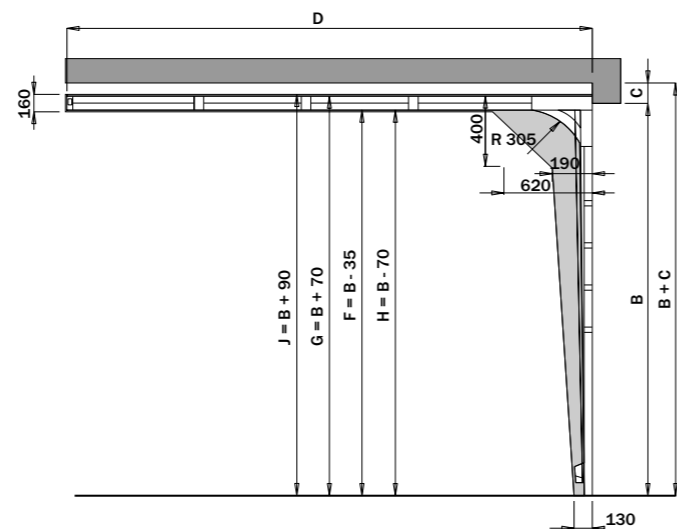
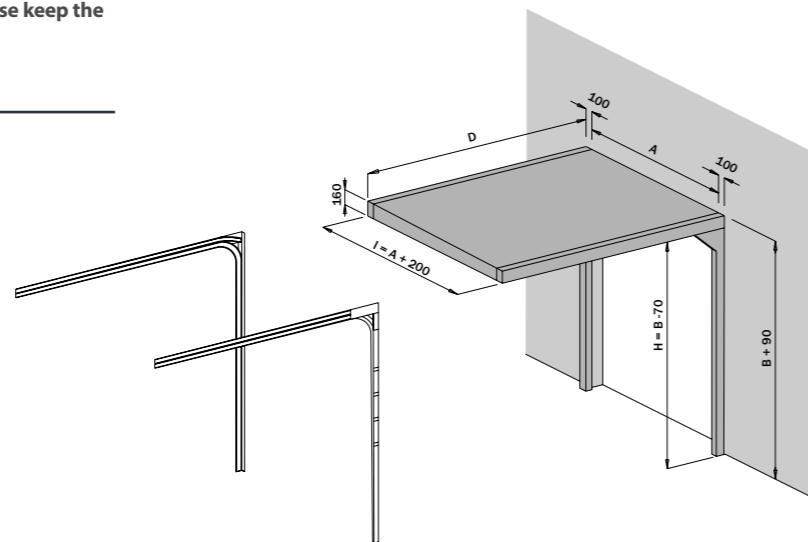
## FREE SPACE FOR THE DOOR MOVEMENT

- A** opening width max. 4500mm
- B** opening height max. 2500mm, door weight max. 115kg, sections weight 12 kg/m<sup>2</sup>
- C** headroom with manual drive min. 90mm, with el. operator min. 130mm
- D** length of the horizontal tracks:
  - B (1 900 to 2 000) ⇒ D = 2 400 mm
  - B (2 001 to 2 125) ⇒ D = 2 525 mm
  - B (2 126 to 2 250) ⇒ D = 2 650 mm
  - B (2 151 to 2 375) ⇒ D = 2 775 mm
  - B (2 376 to 2 500) ⇒ D = 2 900 mm
- F** height of the track's lower edge above ground level = B - 35mm
- G** height of the track's upper edge above ground level B + 70mm
- H** lower edge of the working space = B - 70mm in the width of 160mm
- J** upper edge of the working space B + 90mm
  - The clear passage height with manual drive B - 130mm, with an overhead operator the clear passage height is guaranteed.
  - Door's working space

**To guarantee a trouble-free movement of the door, please keep the free space free from any kind of obstacles.**

## FREE SPACE FOR THE DOOR PANELS

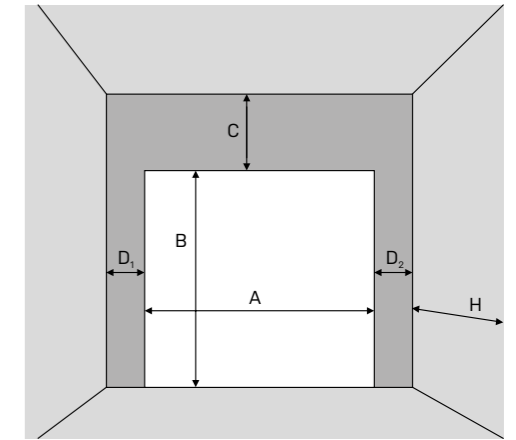
- A** opening width
- B** opening height
- I** space for spring system A + 200mm
- D** length of the horizontal tracks:
  - B (1 900 to 2 000) ⇒ D = 2 400 mm
  - B (2 001 to 2 125) ⇒ D = 2 525 mm
  - B (2 126 to 2 250) ⇒ D = 2 650 mm
  - B (2 151 to 2 375) ⇒ D = 2 775 mm
  - B (2 376 to 2 500) ⇒ D = 2 900 mm
- H** lower edge of the working space = B - 70mm



# ECO

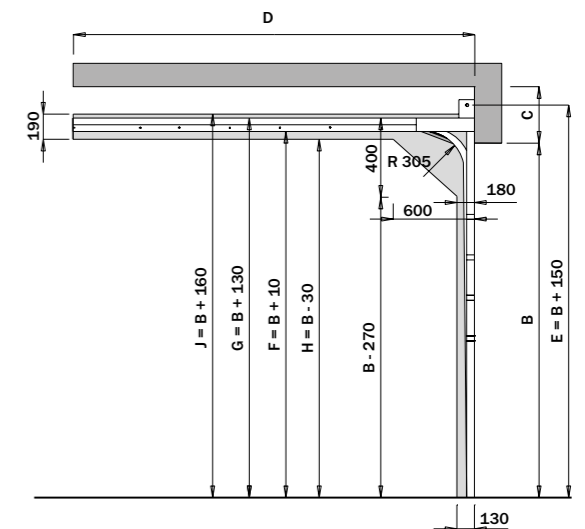
## DIMENSIONAL SHEET

- A** opening width max. 5250mm (from door width 4751mm there is necessary to add the weight of the struts, number of struts equals the number of the sections, strut weight 1,25kg/lm)
- B** opening height max. 3000mm, door weight max. 200kg, sections weight 12 kg/m<sup>2</sup>
- C** head room min. 230mm
- D** side room min. 100 mm
  - to guarantee trouble-free movement of the door, please keep the free space free of any kind of obstacles.
- S** door axis
  - Clear passage height for fitting ECO:
    - for door without el. operator = opening height minus 100mm
    - for door without el. Operator and with integrated entry with low threshold = opening height minus 150mm
    - for door with el. operator = opening height minus 50mm
    - for door with el. operator and with integrated entry with low threshold = opening height minus 100mm
- H** garage depth



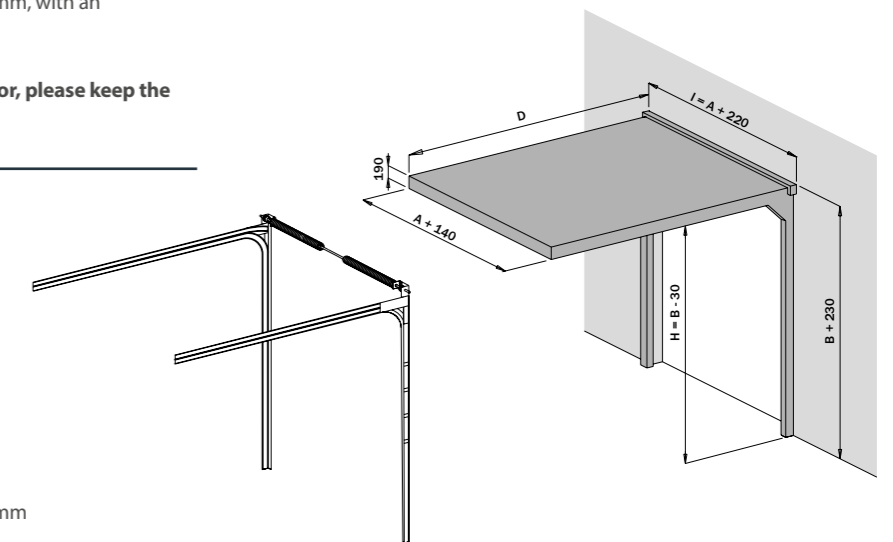
## FREE SPACE FOR THE DOOR MOVEMENT

- A** opening width max. 5250mm (from door width 4751mm there is necessary to add the weight of the struts, number of struts equals the number of the sections, strut weight 1,25kg/lm)
  - B** opening height max. 3000mm, door weight max. 200kg, sections weight 12 kg/m<sup>2</sup>
  - C** head room min. 230mm
  - D** length of the horizontal tracks:
    - B (1 900 to 2 130) ⇒ D = 2 450 mm
    - B (2 131 to 2 340) ⇒ D = 2 700 mm
    - B (2 341 to 2 490) ⇒ D = 2 850 mm
    - B (2 491 to 2 750) ⇒ D = 3 200 mm
    - B (2 751 to 3 000) ⇒ D = 3 450 mm
  - E** height of the torsion bar above ground level B + 150mm
  - F** height of the track's lower edge above ground level B + 10mm
  - G** height of the track's upper edge above ground level B + 130mm
  - H** upper working space B - 30mm in the width of 190mm
  - J** lower edge of the working space B + 160mm
    - The clear passage height with manual drive B - 100mm, with an overhead operator B - 50mm
    - Door's working space
- To guarantee a trouble-free movement of the door, please keep the free space free from any kind of obstacles.**



## FREE SPACE FOR THE DOOR PANELS

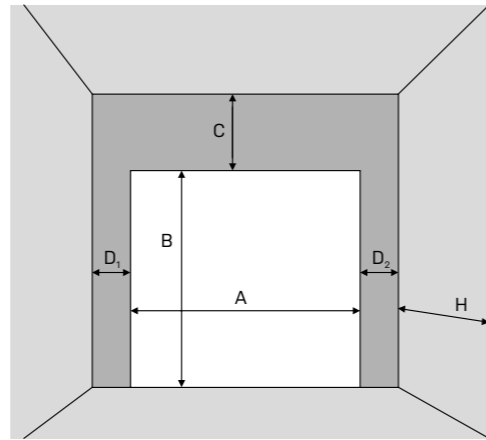
- A** opening width
- B** opening height
- I** space for spring system A + 220mm
- D** length of the horizontal tracks:
  - B (1 900 to 2 130) ⇒ D = 2 450 mm
  - B (2 131 to 2 340) ⇒ D = 2 700 mm
  - B (2 341 to 2 490) ⇒ D = 2 850 mm
  - B (2 491 to 2 750) ⇒ D = 3 200 mm
  - B (2 751 to 3 000) ⇒ D = 3 450 mm
- H** upper working space B - 30mm in the width of 190mm



# R70

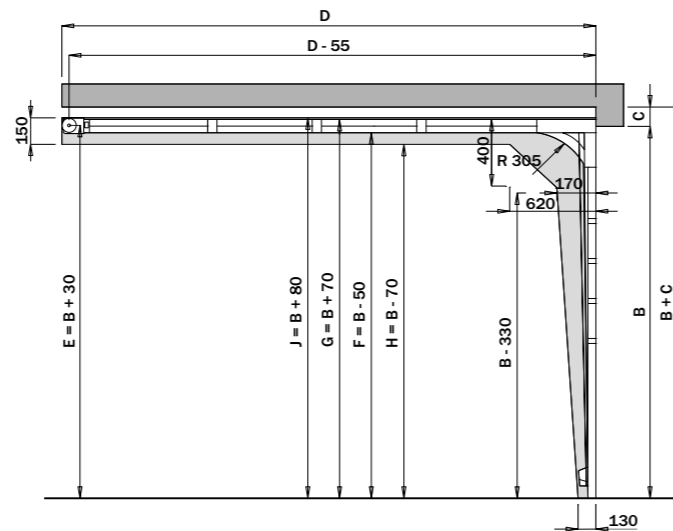
## DIMENSIONAL SHEET

- A** opening width max. 4940mm  
**B** opening height max. 3000mm, door weight max. 150kg, sections weight 12 kg/m<sup>2</sup>  
**C** head room without el. operator 70mm, with overhead operator min. 110mm  
**D** side room min. 100mm  
 • To guarantee trouble-free movement of the door, please keep the free space free of any kind of obstacles.  
**S** door axis  
 Clear passage height for fitting R70  
 • For door without el. operator = opening height minus 100mm  
 • For door without el. Operator and with integrated entry with low threshold = opening height minus 150mm  
 • For door with el. operator = opening height minus 50mm  
 • For door with el. operator and with integrated entry with low threshold = opening height minus 100mm  
**H** garage depth



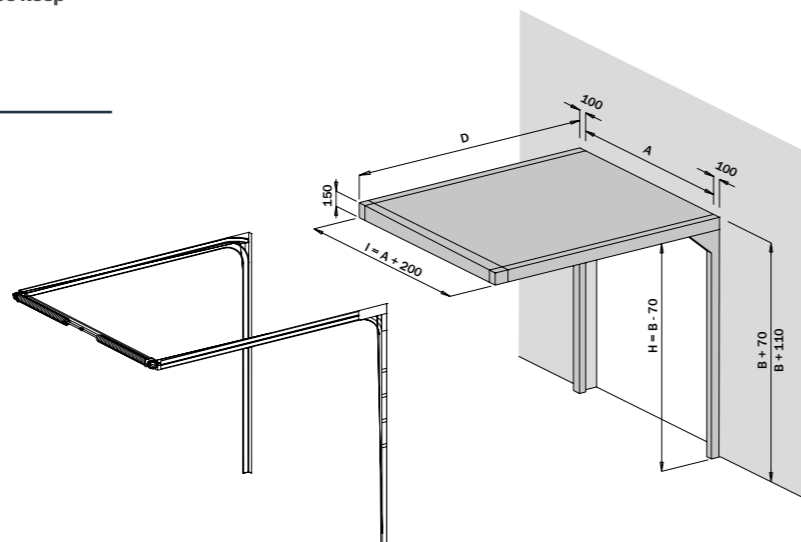
## FREE SPACE FOR THE DOOR MOVEMENT

- A** opening width max. 4940mm  
**B** opening height max. 3000mm, door weight max. 150kg, sections weight 12 kg/m<sup>2</sup>  
**C** head room without el. operator 70mm, with overhead operator min. 110mm  
**D** length of the horizontal tracks:  
 B (to 2 050) ⇒ D = 2 610 mm  
 B (2 051 to 2 180) ⇒ D = 2 760 mm  
 B (2 181 to 2 370) ⇒ D = 2 910 mm  
 B (2 371 to 2 750) ⇒ D = 3 260 mm  
 B (2 751 to 3 000) ⇒ D = 3 480 mm  
**E** height of the torsion bar above ground level B + 30mm  
**F** height of the track's lower edge above ground level B - 50mm  
**G** height of the track's upper edge above ground level B + 70mm  
**H** upper working space B - 70mm in the width of 150mm  
**J** lower edge of the working space B + 80mm  
 The clear passage height with manual drive B - 100mm, with an overhead operator B - 50mm  
 ■ Door's working space  
**To guarantee a trouble-free movement of the door, please keep the free space free from any kind of obstacles.**



## FREE SPACE FOR THE DOOR PANELS

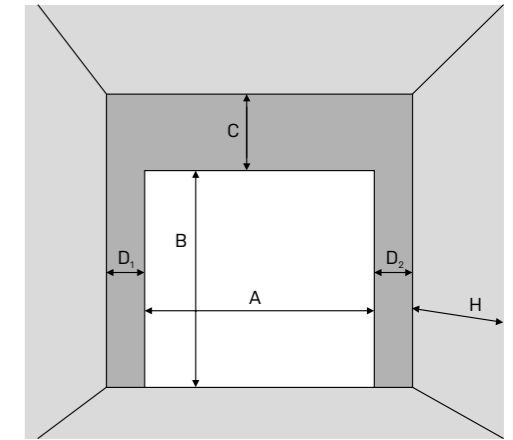
- A** opening width  
**B** opening height  
**I** space for spring system A + 200mm  
**D** length of the horizontal tracks:  
 B (to 2 050) ⇒ D = 2 610 mm  
 B (2 051 to 2 180) ⇒ D = 2 760 mm  
 B (2 181 to 2 370) ⇒ D = 2 910 mm  
 B (2 371 to 2 750) ⇒ D = 3 260 mm  
 B (2 751 to 3 000) ⇒ D = 3 480 mm  
**H** upper working space B - 70mm in the width of 150mm



# STD

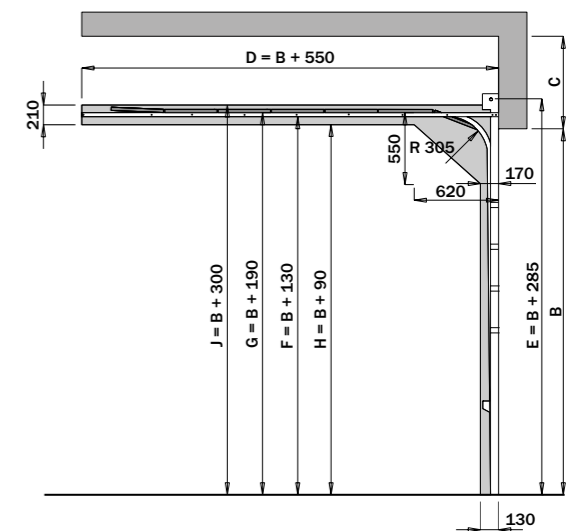
## DIMENSIONAL SHEET

- A** opening width max. 6 000mm (from door width 4751mm there is necessary to add the weight of the struts, number of struts equals the number of the sections, strut weight 1,25kg/lm)  
**B** opening height max. 3000mm, door weight max. 250kg, sections weight 12 kg/m<sup>2</sup>  
**C** head room min. 350mm  
**D** side room min. 100mm, with using a cable break device 440-600 min. 125mm  
 • To guarantee trouble-free movement of the door, please keep the free space free of any kind of obstacles.  
**S** door axis  
 The clear passage height is guaranteed.  
**H** garage depth



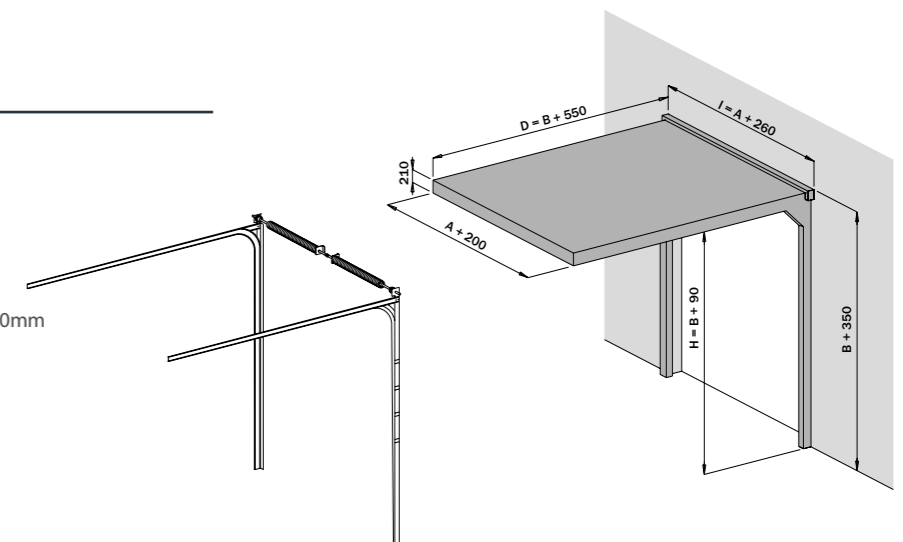
## FREE SPACE FOR THE DOOR MOVEMENT

- A** opening width max. 6 000mm (from door width 4751mm there is necessary to add the weight of the struts, number of struts equals the number of the sections, strut weight 1,25kg/lm)  
**B** opening height max. 3000mm, door weight max. 250kg, sections weight 12 kg/m<sup>2</sup>  
**C** head room min. 350mm  
**D** length of the horizontal tracks B + 550mm  
**E** height of the torsion bar above ground level B + 285mm  
**F** height of the track's lower edge above ground level B + 130mm  
**G** height of the track's upper edge above ground level B + 190mm  
**H** upper working space B + 90mm in the width of 210mm  
**J** upper edge of the working space B + 300mm  
 The clear passage height is guaranteed.  
 ■ Door's working space  
**To guarantee a trouble-free movement of the door, please keep the free space free from any kind of obstacles.**



## FREE SPACE FOR THE DOOR PANELS

- A** opening width  
**B** opening height  
**I** space for spring system A + 260mm  
**D** length of the horizontal tracks B + 550mm  
**H** upper working space B + 90mm in the width of 210mm  
 We deliver the tracks in a sufficient length. In case of space problems, you can cut off max. 200mm



# 10

## REASONS WHY KRUŽÍK DOORS

- ☞ KRUŽÍK s.r.o is a Czech family company without foreign capital with a tradition of almost 30 years.
- ☞ All doors are always made to measure, so every door is essentially an original. So, there is no need to use any unsightly frames that interfere to the opening.
- ☞ We are not afraid of unconventional orders. Our technicians are always ready to meet the customer and offer the optimal solution for any construction opening. KRUŽÍK s.r.o is very well established on the European market. Currently, more than one third of our production is exported to 13 European countries. However, our doors have also found their place in exotic destinations such as Iceland, Armenia, the United Arab Emirates and North Korea.
- ☞ Thanks to significant investments in automation and robotics, as well as the ongoing digitalization and optimization of production processes, we are able to offer our customers the shortest possible lead times.
- ☞ For the production of our doors, we use only top-quality panels manufactured in the EU by leading European manufacturers on modern continuous lines. We only use 40mm thick panels, never narrower, so all our doors have excellent thermal insulation properties.
- ☞ Thanks to our own paint shop, we are able to produce doors in a colour shade exactly according to customer requirements. We use only high-quality PUR paints and offer almost 3000 different shades. We also own laminating lines that allow us to coat the door panels with any of over 50 films for precise colour matching of the garage door with the door or window.
- ☞ We are able to use our unique DURA PRINT digital printing technology to print almost any motif on the door according to the customer's wishes. It can be an imitation of wood, concrete, stone, picture, company logo or vector graphics. So, everyone can have a door with a design of their choice.
- ☞ We keep almost all spare parts in stock, so we are able to provide components for very quick repair and emergency situations, for example in the case of a crashed door. Our prices for spare parts are very reasonable compared to our competitors.
- ☞ We are the only door manufacturer to offer a warranty of up to 11 years.
- ☞ The last but not least and equally important reason to choose KRUŽÍK door is the favourable price/quality ratio of all our products.



**WWW.KRUZIK.COM**  
**WWW.KRUZIK.EU**



---

## **AUTHORIZED SELLER**

---

### **HEADQUARTERS KROMERIZ**

Veslavínova 2357  
767 01 Kroměříž  
tel.: +420 800 100 231  
tel.: +420 573 336 233  
fax.: +420 573 343 582  
e-mail: kruzik@kruzik.cz

### **BRANCH PRAGUE**

Herbenova 38  
102 00 Praha 10 Hostivař  
tel.: +420 267 710 901  
tel.: +420 267 710 696  
e-mail: praha@kruzik.cz

### **KRUZIK UKRAINE**

s. Ivanivtsi, ul. Miru, 3  
Mukachevo 89622  
tel.: +38 0964585699  
tel.: +38 0505235969  
e-mail: kruzik@kruzik.com.ua  
www: www.kruzik.com.ua